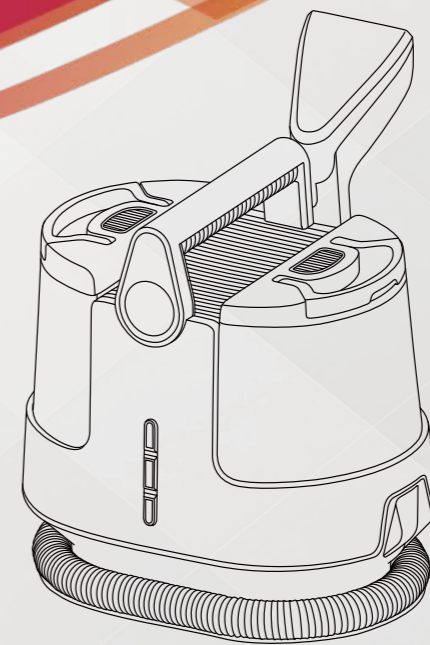
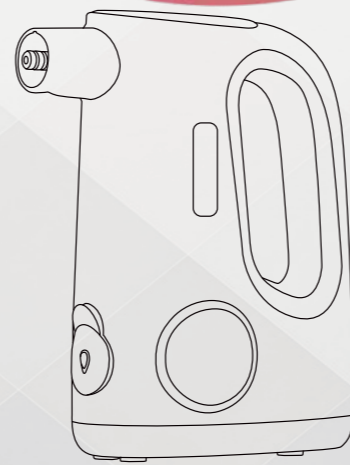
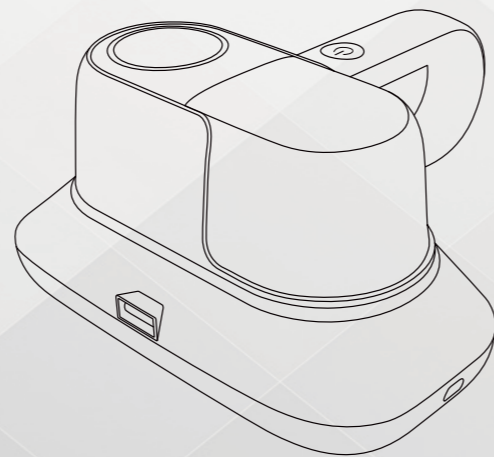
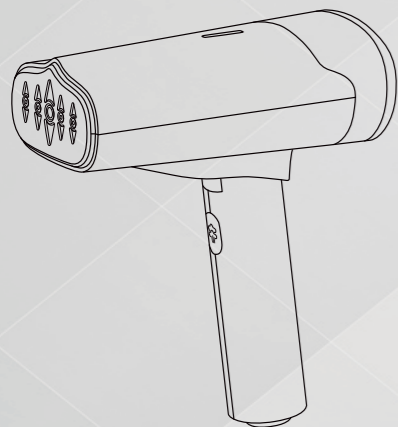


PRODUCT CATALOG





Choose us , choose life !



*NJ-FCM101

Rated voltage : 220-240V~

Rated power : 1700W

Quantity/box : 2pcs

20'/40'/40HQ : 842/1682/2042

Gear range: Model 25 °C water/ModelI 50 °C

water/ModelIII 70 °C water/ModelIV 130 °C steam

Rated frequency : 50/60Hz

Gross weight : 4.6kg

Power cord length : 4m

Size : 318x245x334mm

Clear water tank capacity : 2000mL

Waste water tank capacity : 1200mL

Product features:

- ◆ Strong suction can easily remove stains and stubborn and sticky oil stains on carpets, upholstery and other surfaces.
- ◆ High temperature steam can easily remove stubborn stains.
- ◆ One spray two brushes and three sucks can easily deal with all kinds of stains, and can be cleaned without disassembly to meet daily needs.



Choose us , choose life !



*NJ-FCM201

Rated voltage : 220-240V~

Rated power : 1700W

Quantity/box : 2pcs

20'/40'/40HQ : 1036/2073/2514

Gear range: Model 25 °C water/ModelI 50 °C

water/ModelIII 70 °C water/ModelIV 130 °C steam

Rated frequency : 50/60Hz

N.W./G.W. : 3.8/4.6kg

Size : 324x235x273mm

Power cord length : 4m

Clear water tank capacity : 1800mL

Waste water tank capacity : 1200mL

Product features:

- ◆ Strong suction can easily remove stains and stubborn and sticky oil stains on carpets, upholstery and other surfaces.
- ◆ High temperature steam can easily remove stubborn stains.
- ◆ One spray two brushes and three sucks can easily deal with all kinds of stains, and can be cleaned without disassembly to meet daily needs.



*NJ-FCM202

Rated voltage : 220-240V~

Rated power : 1700W

Quantity/box : 2pcs

20'/40'/40HQ : 1036/2073/2514

Gear range: Model 25 °C water/ModelII 50 °C

water/ModelIII 70 °C water/ModelIV 130 °C steam

Rated frequency : 50/60Hz

N.W./G.W. : 3.8/4.6kg

Size : 324x235x273mm

Power cord length : 4m

Clear water tank capacity : 1800mL

Waste water tank capacity : 1200mL

Product features:

- ◆ Strong suction can easily remove stains and stubborn and sticky oil stains on carpets, upholstery and other surfaces.
- ◆ High temperature steam can easily remove stubborn stains.
- ◆ One spray two brushes and three sucks can easily deal with all kinds of stains, and can be cleaned without disassembly to meet daily needs.



*NJ-FCM501

Rated voltage : 220-240V~
Rated frequency : 50/60Hz
Rated power : 450W
Quantity/box : 2pcs
20'/40'/40HQ : 1590/3178/3860

N.W./G.W. : 3.8/4.6kg
Size : 314x155x266mm
Power cord length : 4m
Clear water tank capacity : 1800mL
Waste water tank capacity : 1000mL

Product features:

- ◆ Strong suction can easily remove stains and stubborn and sticky oil stains on carpets, upholstery and other surfaces.
- ◆ High temperature steam can easily remove stubborn stains.
- ◆ One spray two brushes and three sucks can easily deal with all kinds of stains, and can be cleaned without disassembly to meet daily needs.



*NJ-FCM502

Rated voltage : 220-240V~
Rated frequency : 50/60Hz
Rated power : 450W
Quantity/box : 2pcs
20'/40'/40HQ : 1558/3114/3782

N.W./G.W. : 3.8/4.6kg
Size : 314x155x266mm
Power cord length : 4m
Clear water tank capacity : 1800mL
Waste water tank capacity : 1000mL

Product features:

- ◆ Strong suction can easily remove stains and stubborn and sticky oil stains on carpets, upholstery and other surfaces.
- ◆ High temperature steam can easily remove stubborn stains.
- ◆ One spray two brushes and three sucks can easily deal with all kinds of stains, and can be cleaned without disassembly to meet daily needs.



*NJ-FCM503

Rated voltage : 220-240V~
Rated frequency : 50/60Hz
Rated power : 450W
Quantity/box : 2pcs
20'/40'/40HQ : 1558/3114/3782

N.W./G.W. : 3.8/4.6kg
Size : 314x155x266mm
Power cord length : 4m
Clear water tank capacity : 1800mL
Waste water tank capacity : 1000mL

Product features:

- ◆ Strong suction can easily remove stains and stubborn and sticky oil stains on carpets, upholstery and other surfaces.
- ◆ High temperature steam can easily remove stubborn stains.
- ◆ One spray two brushes and three sucks can easily deal with all kinds of stains, and can be cleaned without disassembly to meet daily needs.



*NJ-FCM702

Rated voltage : 220-240V~
Rated frequency : 50/60Hz
Rated power : 500W
(hot steam selectable)
Quantity/box : 2pcs
20'/40'/40HQ : 1368/2736/3322

N.W./G.W. : 3.8/4.6kg
Size : 310x170x290mm
Power cord length : 4m
Clear water tank capacity : 1600mL
Waste water tank capacity : 1000mL

Product features:

- ◆ Strong suction can easily remove stains and stubborn and sticky oil stains on carpets, upholstery and other surfaces.
- ◆ High temperature steam can easily remove stubborn stains.
- ◆ One spray two brushes and three sucks can easily deal with all kinds of stains, and can be cleaned without disassembly to meet daily needs.

Choose us , choose life !



NJ-FCM705

Rated voltage : 220-240V~
Rated frequency : 50/60Hz
Rated power : 500W
(hot steam selectable)
Quantity/box : 2pcs
20'/40'/40HQ : 1368/2736/3322

N.W./G.W. : 3.8/4.6kg
Size : 310x170x290mm
Power cord length : 4m
Clear water tank capacity : 1600mL
Waste water tank capacity : 1000mL

Product features:

- ◆ Strong suction can easily remove stains and stubborn and sticky oil stains on carpets, upholstery and other surfaces.
- ◆ High temperature steam can easily remove stubborn stains.
- ◆ One spray two brushes and three sucks can easily deal with all kinds of stains, and can be cleaned without disassembly to meet daily needs.

Choose us , choose life !



NJ-FCM203

Rated voltage : 220-240V~

Rated power : 1700W

Quantity/box : 2pcs

20'/40'/40HQ : 1036/2073/2514

Gear range: Model 25 °C water/Model I 50 °C

water/Model III 70 °C water/Model IV 130 °C steam

Rated frequency : 50/60Hz

N.W./G.W. : 3.8/4.6kg

Size : 318x235x334mm

Power cord length : 4m

Clear water tank capacity : 1800mL

Waste water tank capacity : 1000mL

Product features:

- ◆ Strong suction can easily remove stains and stubborn and sticky oil stains on carpets, upholstery and other surfaces.
- ◆ High temperature steam can easily remove stubborn stains.
- ◆ One spray two brushes and three sucks can easily deal with all kinds of stains, and can be cleaned without disassembly to meet daily needs.

Choose us , choose life !



NJ-SM11/SM11D

Rated voltage : 220-240V~
Rated frequency : 50/60Hz
Water tank capacity : 330mL
Power cord length : 5m
Product type : mechanical/electronic

Rated power : 1250W
Main material : ABS+PC
Size : 280x145x1200mm
Quantity/box : 4pcs
20'/40'/40HQ : 1620/3420/4020

Product features:

- ◆ Removable water tank, safe and convenient, easy to add water.
- ◆ Physical sterilization with high-temperature steam does not damage the floor.
- ◆ The rotatable mop head is convenient for dragging corners.

Choose us , choose life !



NJ-SM12/SM12D

Rated voltage : 220-240V~
Rated frequency : 50/60Hz
Water tank capacity : 330mL
Power cord length : 5m
Product type : mechanical/electronic

Rated power : 1250W
Main material : ABS+PC
Size : 280x145x1200mm
Quantity/box : 4pcs
20'/40'/40HQ : 1620/3420/4020

Product features:

- ◆ Removable water tank, safe and convenient, easy to add water.
- ◆ Physical sterilization with high-temperature steam does not damage the floor.
- ◆ The rotatable mop head is convenient for dragging corners.

Choose us , choose life !



Choose us , choose life !



NJ-SM13D

Rated voltage : 220-240V~
Rated frequency : 50/60Hz
Water tank capacity : 550mL
Power cord length : 5m
Product type : electronic

Rated power : 1250W
Main material : ABS+PC
Size : 280x145x1200mm
Quantity/box : 4pcs
20'/40'/40HQ : 1620/3420/4020

Product features:

- ◆ Removable water tank, safe and convenient, easy to add water.
- ◆ Physical sterilization with high-temperature steam does not damage the floor.
- ◆ The rotatable mop head is convenient for dragging corners.



Choose us , choose life !



NJ-DSM11/DSM11D

Rated voltage : 220-240V~
Rated frequency : 50/60Hz
Water tank capacity : 330mL
Power cord length : 5m
Product type : mechanical/electronic

Rated power : 1250W
Main material : ABS+PC
Size : 280x145x1200mm
Quantity/box : 4pcs
20'/40'/40HQ : 1620/3420/4020

Product features:

- ◆ Removable water tank, safe and convenient, easy to add water.
- ◆ Physical sterilization with high-temperature steam does not damage the floor.
- ◆ The rotatable mop head is convenient for dragging corners.



NJ-DSM12/DSM12D

Rated voltage : 220-240V~
Rated frequency : 50/60Hz
Water tank capacity : 330mL
Power cord length : 5m
Product type : mechanical/electronic

Rated power : 1250W
Main material : ABS+PC
Size : 280x145x1200mm
Quantity/box : 4pcs
20'/40'/40HQ : 1620/3420/4020

Product features:

- ◆ Removable water tank, safe and convenient, easy to add water.
- ◆ Physical sterilization with high-temperature steam does not damage the floor.
- ◆ The rotatable mop head is convenient for dragging corners.



Choose us , choose life !



NJ-DSM13D

Rated voltage : 220-240V~
Rated frequency : 50/60Hz
Water tank capacity : 550mL
Power cord length : 5m
Product type : electronic

Rated power : 1250W
Main material : ABS+PC
Size : 280x145x1200mm
Quantity/box : 4pcs
20'/40'/40HQ : 1620/3420/4020

Product features:

- ◆ Removable water tank, safe and convenient, easy to add water.
- ◆ Physical sterilization with high-temperature steam does not damage the floor.
- ◆ The rotatable mop head is convenient for dragging corners.



NJ-SFW801

Rated voltage : 220-240V~
Rated frequency : 50/60Hz
Rated power : 1300W
Water tank capacity : 330mL
Power cord length : 5m

Main material : ABS+PC
Size : 315x145x1250mm
Quantity/box : 4pcs
20'/40'/40HQ : 1140/2400/2820

Product features:

- ◆ Removable water tank, safe and convenient, easy to add water.
- ◆ Physical sterilization with high-temperature steam does not damage the floor.
- ◆ The rotatable mop head is convenient for dragging corners.

Choose us , choose life !



Choose us , choose life !



NJ-SFW802

Rated voltage : 220-240V~
Rated frequency : 50/60Hz
Rated power : 1300W
Water tank capacity : 330mL
Power cord length : 5m

Main material : ABS+PC
Size : 315x145x1250mm
Quantity/box : 4pcs
20'/40'/40HQ : 1140/2400/2820

Product features:

- ◆ Removable water tank, safe and convenient, easy to add water.
- ◆ Physical sterilization with high-temperature steam does not damage the floor.
- ◆ The rotatable mop head is convenient for dragging corners.



Choose us , choose life !



NJ-SFW803

Rated voltage : 220-240V~
Rated frequency : 50/60Hz
Rated power : 1300W
Water tank capacity : 550mL
Power cord length : 5m

Main material : ABS+PC
Size : 316x150x1260mm
Quantity/box : 4pcs
20'/40'/40HQ : 1060/2240/2620

Product features:

- ◆ Removable water tank, safe and convenient, easy to add water.
- ◆ Physical sterilization with high-temperature steam does not damage the floor.
- ◆ The rotatable mop head is convenient for dragging corners.



Choose us , choose life !



NJ-SFW805

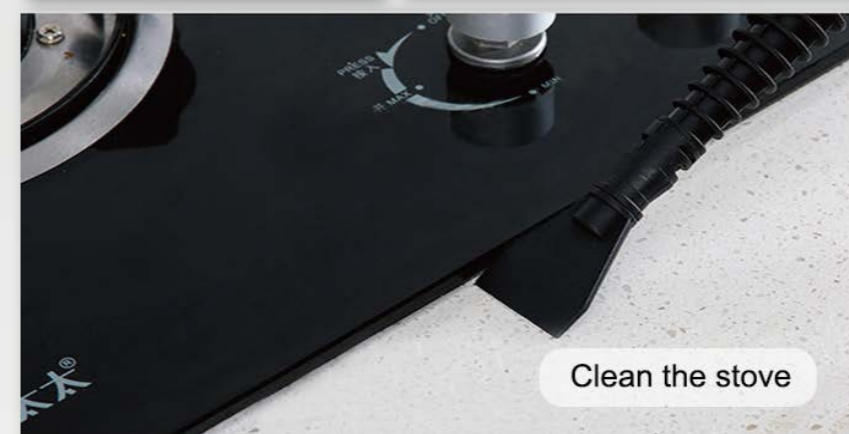
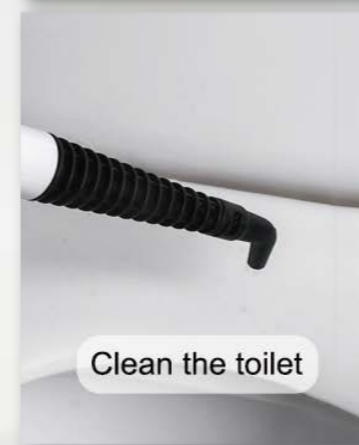
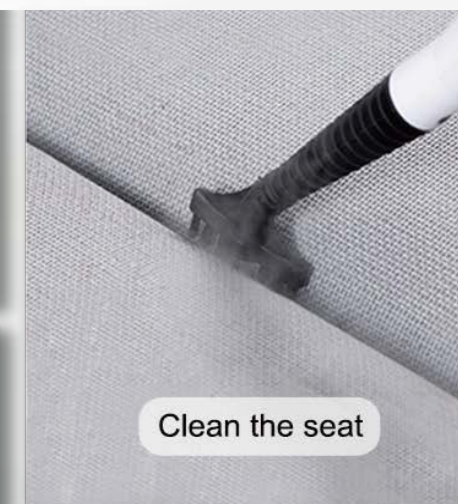
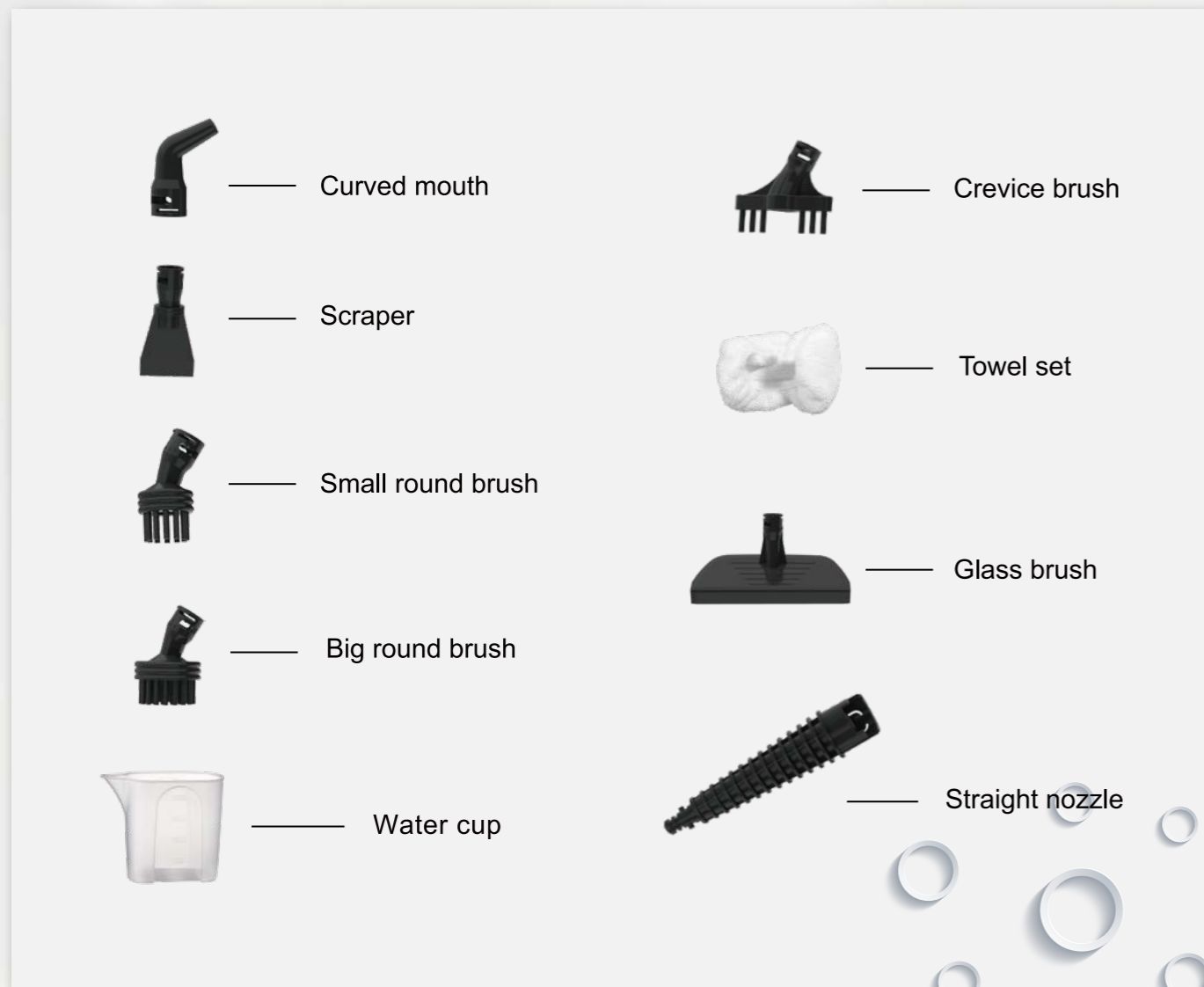
Battery : 2000mAh
Water tank capacity : 550mL

Main material : ABS+PC
Quantity/box : 4pcs

Product features:

- ◆ Removable water tank, safe and convenient, easy to add water.
- ◆ The rotatable mop head is convenient for dragging corners.
- ◆ 2000mAh lithium battery provides strong and lasting power, and the whole house is cleaned without interruption, and the long battery life meets the cleaning needs of the whole house.

MULTIFUNCTIONAL UNIVERSAL MOP ACCESSORIES (selectable)



Choose us, choose life!



Choose us , choose life !



NJ-SFW806

Wireless / Wired
Rated voltage : 220-240V~
Rated frequency : 50/60Hz
Main material : ABS+PC

Rated power : 200W
Vacuum : $\geq 14-16$ kpa
Quantity/box : 4pcs

Product features:

- ◆ Cyclone suction can easily remove ground dust and hair dander, deeply sterilize and remove mites, and care for allergic people.
- ◆ Hurricane suction, strong cleaning power, instant dirt absorption, high-frequency wiping speed, that is, wiping and drying, leaving no water stains.



Choose us , choose life !



NJ-SFW807

Wireless / Wired
Rated voltage : 220-240V~
Rated frequency : 50/60Hz
Main material : ABS+PC

Rated power : 200W
Vacuum : $\geq 14-16$ kpa
Quantity/box : 4pcs

Product features:

- ◆ Cyclone suction can easily remove ground dust and hair dander, deeply sterilize and remove mites, and care for allergic people.
- ◆ Hurricane suction, strong cleaning power, instant dirt absorption, high-frequency wiping speed, that is, wiping and drying, leaving no water stains.



Choose us , choose life !



NJ-SFW808

Wireless / Wired
Rated voltage : 220-240V~
Rated frequency : 50/60Hz
Main material : ABS+PC

Rated power : 200W
Vacuum : $\geq 14-16$ kpa
Quantity/box : 4pcs

Product features:

- ◆ Cyclone suction can easily remove ground dust and hair dander, deeply sterilize and remove mites, and care for allergic people.
- ◆ Hurricane suction, strong cleaning power, instant dirt absorption, high-frequency wiping speed, that is, wiping and drying, leaving no water stains.



Choose us , choose life !



NJ-SFW809

Wireless / Wired
Rated voltage : 220-240V~
Rated frequency : 50/60Hz
Main material : ABS+PC

Rated power : 200W
Vacuum : $\geq 14-16$ kpa
Quantity/box : 4pcs

Product features:

- ◆ Cyclone suction can easily remove ground dust and hair dander, deeply sterilize and remove mites, and care for allergic people.
- ◆ Hurricane suction, strong cleaning power, instant dirt absorption, high-frequency wiping speed, that is, wiping and drying, leaving no water stains.



NJ-MP101/NJ-MP102

Rated voltage : 220-240V~
Rated frequency : 50/60Hz
Quantity/box : 8pcs
20'/40'/40HQ : 6400/13600/16000

Wireless
Rated power : 100W
Main material : ABS
Vacuum degree: 12KPA

Product features:

- ◆ UV ultraviolet deep sterilization, covering a large area in one step.
- ◆ Strong suction, sweeping and sucking, dust mite hair can be sucked freely.
- ◆ Five-fold deep filtration seals allergens and mites in the dust box, effectively preventing secondary pollution.

Choose us , choose life !



NJ-SC101

Rated voltage : 220-240V~
Rated power : 1200W
Size : 260x80x217mm
Quantity/box : 4pcs
20'/40'/40HQ : 2120/4400/5260

Rated frequency : 50/60Hz
Main material : ABS+PC
Power cord length : 3m
Water tank capacity : 230mL
Accessories : measuring cup

Product features:

- ◆ Removable water tank, safe and convenient, easy to add water.
- ◆ Light in appearance, light in weight, convenient to move and not tiring.
- ◆ Matching parts can easily remove stains, which is a good helper for your kitchen.
- ◆ High-temperature steam quickly disintegrates stubborn stains and goes deep into the gap for sterilization.

Choose us , choose life !



NJ-CS108

Rated voltage : 220-240V~
Rated power : 1200W
Size : 202x85x235mm
Quantity/box : 8pcs
20'/40'/40HQ : 1920/4040/4800

Rated frequency : 50/60Hz
Main material : ABS+PC
Power cord length : 3m
Water tank capacity : 380mL
Accessories : measuring cup

Product features:

- ◆ Lightweight design, lifting and saving effort, not tired for a long time.
- ◆ High pressure, strong impulse and deep disintegration of stubborn stains.
- ◆ High-temperature steam can remove bacteria and mites, thoroughly clean and inhibit bacterial growth.

Choose us , choose life !



NJ-CS102

Rated voltage : 220-240V~
Rated power : 1200W
Size : 260x80x217mm
Quantity/box : 8PCS
20'/40'/40HQ : 1840/3920/4600

Rated frequency : 50/60Hz
Main material : ABS+PC
Power cord length : 3m
Water tank capacity : 450mL
Accessories : measuring cup

Product features:

- ◆ Lightweight design, lifting and saving effort, not tired for a long time.
- ◆ High pressure, strong impulse and deep disintegration of stubborn stains.
- ◆ High-temperature steam can remove bacteria and mites, thoroughly clean and inhibit bacterial growth.

Choose us , choose life !



NJ-CS108

Rated voltage : 220-240V~
Rated power : 1200W
Size : 202x85x235mm
Quantity/box : 8pcs
20'/40'/40HQ : 1920/4040/4800

Rated frequency : 50/60Hz
Main material : ABS+PC
Power cord length : 3m
Water tank capacity : 380mL
Accessories : measuring cup

Product features:

- ◆ Lightweight design, lifting and saving effort, not tired for a long time.
- ◆ High pressure, strong impulse and deep disintegration of stubborn stains.
- ◆ High-temperature steam can remove bacteria and mites, thoroughly clean and inhibit bacterial growth.



NJ-CS102

Rated voltage : 220-240V~
Rated power : 1200W
Size : 260x80x217mm
Quantity/box : 8PCS
20'/40'/40HQ : 1840/3920/4600

Rated frequency : 50/60Hz
Main material : ABS+PC
Power cord length : 3m
Water tank capacity : 450mL
Accessories : measuring cup

Product features:

- ◆ Lightweight design, lifting and saving effort, not tired for a long time.
- ◆ High pressure, strong impulse and deep disintegration of stubborn stains.
- ◆ High-temperature steam can remove bacteria and mites, thoroughly clean and inhibit bacterial growth.

Choose us , choose life !

Multifunctional accessories of steam cleaner (selectable)



Curved nozzle



Scraper



Water cup



Small round brush



Adapter



Multifunctional adapter



Big round brush



Window brush



Straight nozzle



Crevice brush



Towel cover



Tube



Choose us , choose life !



NJ-HIE07

Rated frequency : 50/60Hz
Rated power : 1200W
Size : 280x90x130mm
Quantity/box : 10pcs
20'/40'/40HQ : 3170/6700/7800

Rated voltage : 220-240V~
Main material : ABS+PC
Power cord length : 1.5m
Water tank capacity : 120mL
Accessories : measuring cup

Product features:

- ◆ Intelligent touch panel, sensitive touch screen and simple operation.
- ◆ Dry/wet ironing can meet different needs.
- ◆ Surging steam, large steam output, large contact area between ironing board and clothes, saving time.



NJ-HIE1001

Rated frequency : 50/60Hz
Rated power : 1300W
Size : 192x92x127mm
Quantity/box : 10pcs
20'/40'/40HQ : 4656/9840/11580

Rated voltage : 220-240V~
Main material : ABS+PC
Power cord length : 1.5m
Water tank capacity : 120mL
Accessories : measuring cup

Product features:

- ◆ LED display screen with rich functions and simple operation.
- ◆ Large amount of steam, strong permeability, rapid smoothing of wrinkles.
- ◆ Small figure, handle can be rotated 180 degrees, which is convenient for storage when not in use, does not occupy space, and is portable for travel.

Choose us , choose life !



Choose us , choose life !



NJ-HIE1101

Rated frequency : 50/60Hz
Rated power : 1300W
Size : 206x92x135mm
Quantity/box : 10pcs
20'/40'/40HQ : 4656/9840/11580

Rated voltage : 220-240V~
Main material : ABS+PC
Power cord length : 1.5m
Water tank capacity : 120mL
Accessories : measuring cup

Product features:

- ◆ LED display screen with rich functions and simple operation.
- ◆ Large amount of steam, strong permeability, rapid smoothing of wrinkles.
- ◆ Small figure, handle can be rotated 180 degrees, which is convenient for storage when not in use, does not occupy space, and is portable for travel.



Choose us ,choose life!



NJ-HIE12

Rated frequency : 50/60Hz
Rated power : 1350W
Size : 194x92.5x127mm
Quantity/box : 10pcs
20'/40'/40HQ : 4656/9840/11580

Rated voltage : 220-240V~
Main material : ABS+PC
Power cord length : 1.5m
Water tank capacity : 160mL
Accessories : measuring cup

Product features:

- ◆ One-button, simple operation, the gospel of lazy people.
- ◆ Large amount of steam, strong permeability, rapid smoothing of wrinkles.
- ◆ Small figure, handle can be rotated 180 degrees, which is convenient for storage when not in use, does not occupy space, and is portable for travel.



NJ-HIE01

Rated frequency : 50/60Hz
Rated power : 1200W
Size : 167x86x230mm
Quantity/box : 20pcs
20'/40'/40HQ : 6000/12680/14900

Rated voltage : 220-240V~
Main material : ABS+PC
Power cord length : 1.5m
Water tank capacity : 100mL
Accessories : measuring cup+brush

Product features:

- ◆ One-button, simple operation, the gospel of lazy people.
- ◆ Small figure, foldable handle, free storage, no space, portable travel.
- ◆ Stainless steel panel, 5 holes for steam discharge, large steam quantity.



NJ-HIE02

Rated frequency : 50/60Hz
Rated power : 1200W
Size : 182x82x215mm
Quantity/box : 20pcs
20'/40'/40HQ : 6000/12680/14900

Rated voltage : 220-240V~
Main material : ABS+PC
Power cord length : 1.5m
Water tank capacity : 150mL
Accessories : measuring cup

Product features:

- ◆ One-button, simple operation, the gospel of lazy people.
- ◆ Small figure, foldable handle, free storage, no space, portable travel.
- ◆ Stainless steel panel, 5 holes for steam discharge, large steam quantity.

Choose us , choose life !



NJ-HIE03

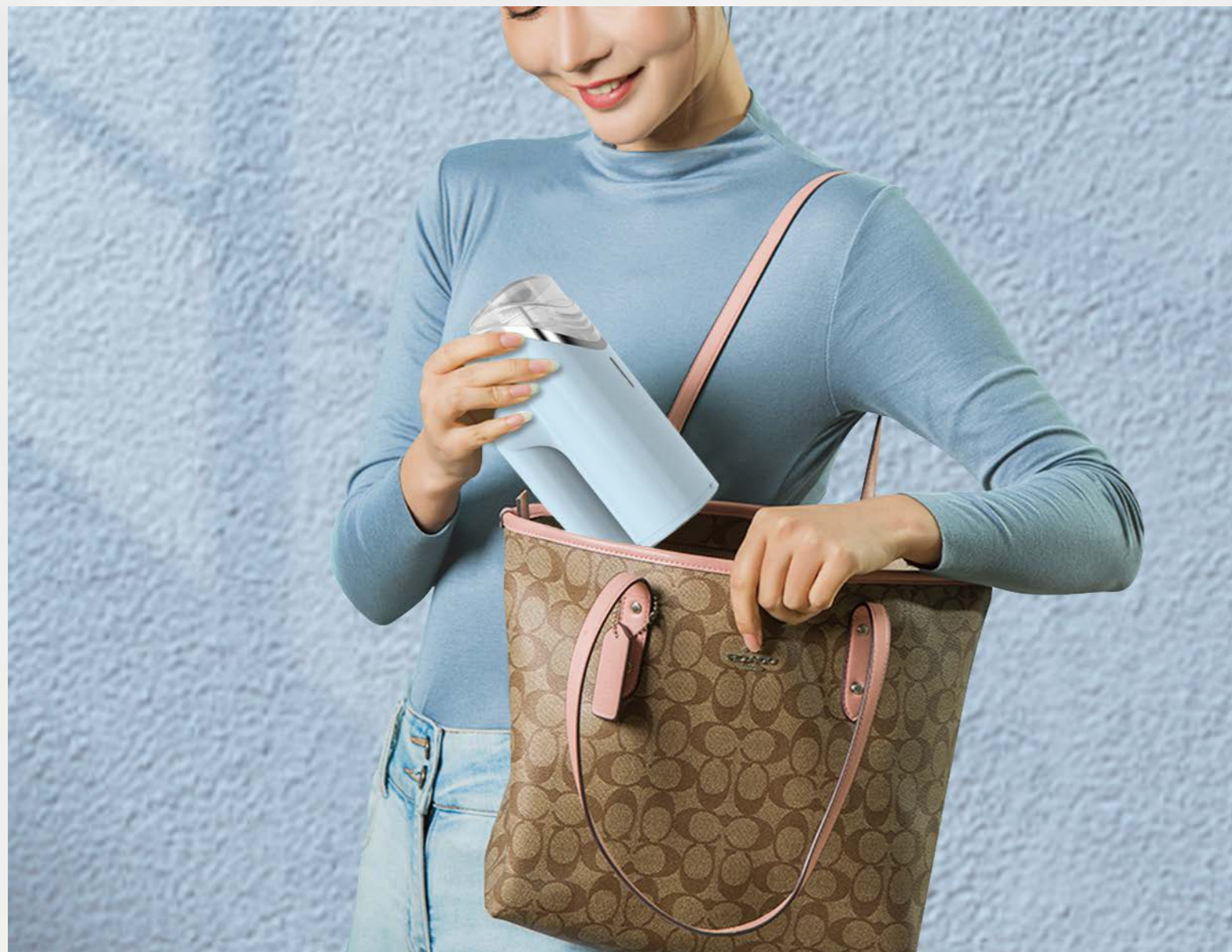
Rated frequency : 50/60Hz
Rated power : 1200W
Size : 167x86x208mm
Quantity/box : 20PCS
20'/40'/40HQ : 6400/13600/16000

Rated voltage : 220-240V~
Main material : ABS+PC
Power cord length : 1.5m
Water tank capacity : 130mL
Accessories : measuring cup

Product features:

- ◆ One-button, simple operation, the gospel of lazy people.
- ◆ Small figure, foldable handle, free storage, no space, portable travel.
- ◆ Stainless steel panel, 5 holes for steam discharge, large steam quantity.

Choose us , choose life !



NJ-HIE08

Rated frequency : 50/60Hz
Rated power : 1200W
Size : 176x86x230mm
Quantity/box : 20pcs
20'/40'/40HQ : 6400/13600/16000

Rated voltage : 220-240V~
Main material : ABS+PC
Power cord length : 1.5m
Water tank capacity : 130mL
Accessories : measuring cup+brush

Product features:

- ◆ One-button, simple operation, the gospel of lazy people.
- ◆ Small figure, foldable handle, free storage, no space, portable travel.
- ◆ Stainless steel panel, 5 holes for steam discharge, large steam quantity.

Choose us , choose life!